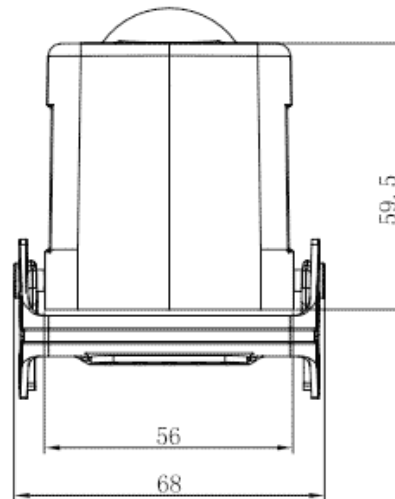
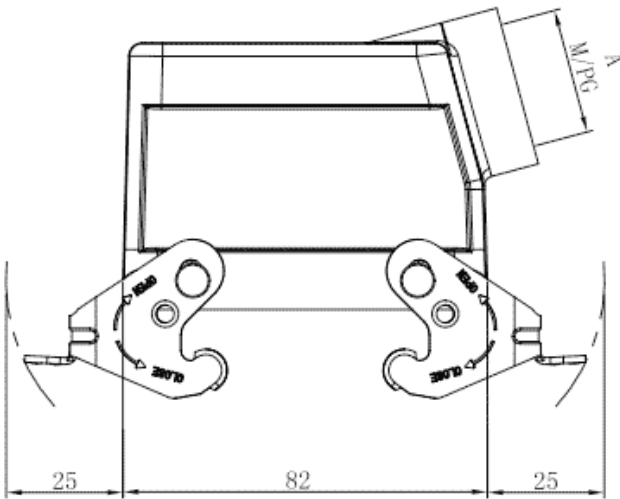


Product Type: Heavy-duty Connector Housing





Product Name: S32A-SE-2L.M-PG21

Product Description: S32A Hoods, metal, side entry, 2 levers, PG21 thread

## Product Size



## Parameters

<p> SUPU ID</p>	S32A-SE-2L.M-PG21
<p> Protection Level</p>	IP65
<p> Operating temperature range</p>	-40°C~+125°C
<p> Color</p>	Grey

☞ Thread type	PG21
☞ Category	Housing
☞ Mechanical endurance	≥500

### Technical data

☞ Sealing material	NBR
☞ Housing Material	Die-Cast Aluminum

### Commercial data

☞ Order No	S32A-SE-2L.M-PG21
☞ Packing unit	PCS
☞ Minimum order quantity	1

## Ningbo SUPU Electronics Co., Ltd.

Address: No. 150, Xinxing 4th Road, High-tech Industrial Development Zone,

Cixi City, Zhejiang Province, China

Zip code: 315303

Switchboard: +86 574-63288158

Fax: +86 574-63288170

E-mail: [supucontact@supu.cn](mailto:supucontact@supu.cn)

Service Hotline: 400-626-6336



Wechat

---

Date:2026-04-26 22:25

The right to modify data belongs to SUPU.