

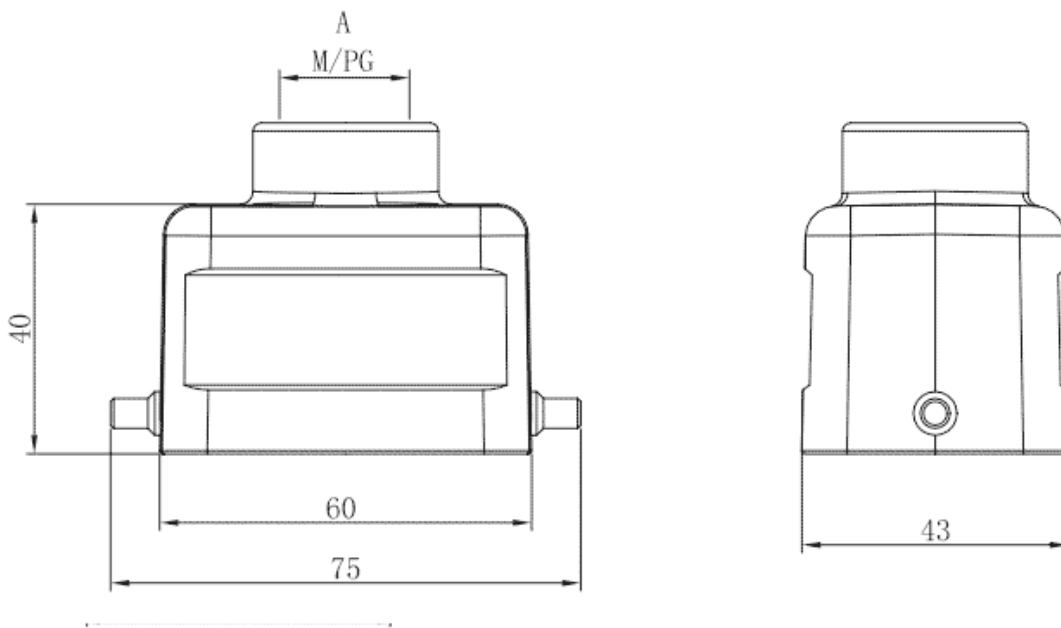


Product Type: Heavy-duty Connector Housing

Product Name: S6B-TE-2B-M20

Product Description: S6B Hoods, top entry, 2 bolts, M20 thread

Product Size



Parameters

| | |
|-------------------------------|---------------|
| ⌘ SUPU ID | S6B-TE-2B-M20 |
| ⌘ Protection Level | IP65 |
| ⌘ Operating temperature range | -40°C~+125°C |
| ⌘ Color | Grey |

| | |
|------------------------|---------|
| ☞ Thread type | M20 |
| ☞ Category | Housing |
| ☞ Mechanical endurance | ≥500 |

Technical data

| | |
|--------------------|-------------------|
| ☞ Sealing material | NBR |
| ☞ Housing Material | Die-Cast Aluminum |

Commercial data

| | |
|--------------------------|---------------|
| ☞ Order No | S6B-TE-2B-M20 |
| ☞ Packing unit | PCS |
| ☞ Minimum order quantity | 1 |

Ningbo SUPU Electronics Co., Ltd.

Address: No. 150, Xinxing 4th Road, High-tech Industrial Development Zone,

Cixi City, Zhejiang Province, China

Zip code: 315303

Switchboard: +86 574-63288158

Fax: +86 574-63288170

E-mail: supucontact@supu.cn

Service Hotline: 400-626-6336



Wechat

Date:2026-04-26 23:04

The right to modify data belongs to SUPU.