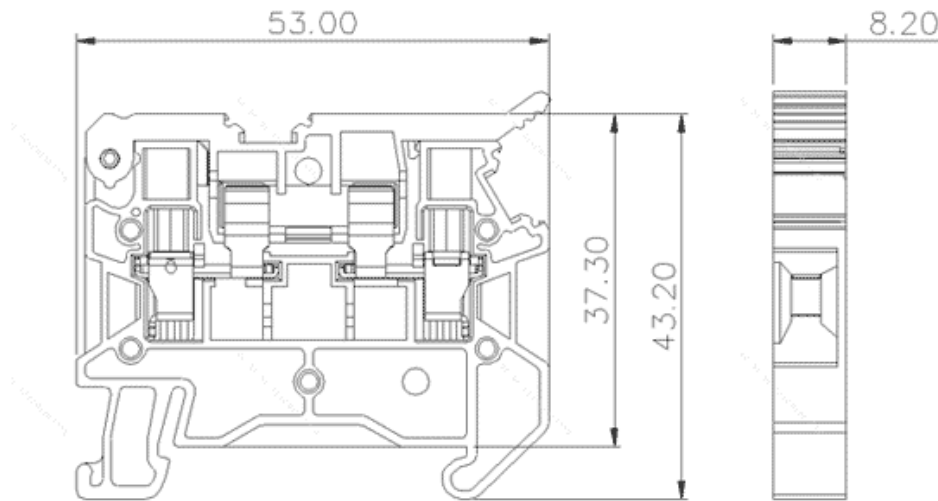


Product Type: Screw terminal

Product Name: TU4-HESI-GY

Product Description: Connection method: Screw connection, IEC Rated current: 12A, IEC Rated Voltage: 800V, Number of connections: 2, Number of levels : 1, Rated cross section: 26-10AWG

Product Size



Parameters

| | |
|-------------------------|-------------|
| ☞ SUPU ID | TU4-HESI-GY |
| ☞ Width | 8.2mm |
| ☞ Number of levels | 1 |
| ☞ Number of connections | 2 |

| | |
|--|--------------------------|
| ☞ Connection method | Screw connection |
| ☞ Protection Level | IP20 |
| ☞ Insulation material | PA66 |
| ☞ Insulation material group | I |
| ☞ Contact material | Copper alloy |
| ☞ Contact plating | Sn,Plated |
| ☞ Ambient temperature (operation) | -40°C~105°C |
| ☞ Ambient temperature (assembly) | -5°C~70°C |
| ☞ Ambient temperature (storage) | -25°C~60°C |
| ☞ Permissible humidity (storage/transport) | 30%~70% |
| ☞ Product type | Terminal block with fuse |

Technical data

| | |
|---|----------------------|
| ☞ IEC Rated Current | 12A |
| ☞ IEC Rated Voltage | 800V |
| ☞ Overvoltage category | III |
| ☞ Degree of pollution | 3 |
| ☞ Rated impulse voltage | 6kV |
| ☞ UL Rated Current | 12A |
| ☞ UL Rated Voltage | 600V |
| ☞ Conductor cross section rigid | 0.2-6mm ² |
| ☞ Conductor cross section flexible | 0.2-4mm ² |
| ☞ Conductor cross section flexible,with ferrule | 0.2-4mm ² |
| ☞ Locking screw Specification | M3 |

| | |
|-----------------------------|----------|
| ☞ Locking screw torque | 0.5N.m |
| ☞ Fixed Screw Specification | / |
| ☞ 固定螺钉扭矩 | / |
| ☞ Stripping length | 8-10mm |
| ☞ Use group | B/C |
| ☞ Rated cross section | 26-10AWG |
| ☞ UL Rated Current | 12A |
| ☞ UL Rated Current | 600V |

Commercial data

| | |
|------------|-------------|
| ☞ Order No | TU4-HESI-GY |
|------------|-------------|

Ningbo SUPU Electronics Co., Ltd.

Address: No. 150, Xinxing 4th Road, High-tech Industrial Development Zone,

Cixi City, Zhejiang Province, China

Zip code: 315303

Switchboard: +86 574-63288158

Fax: +86 574-63288170

E-mail:supucontact@supu.cn

Service Hotline: 400-626-6336



Date:2026-04-28 09:40

The right to modify data belongs to SUPU.