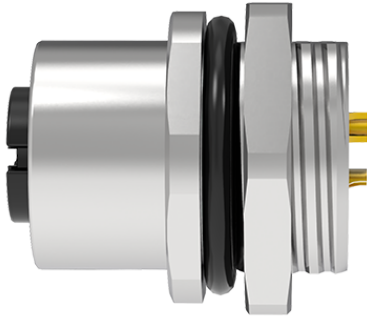




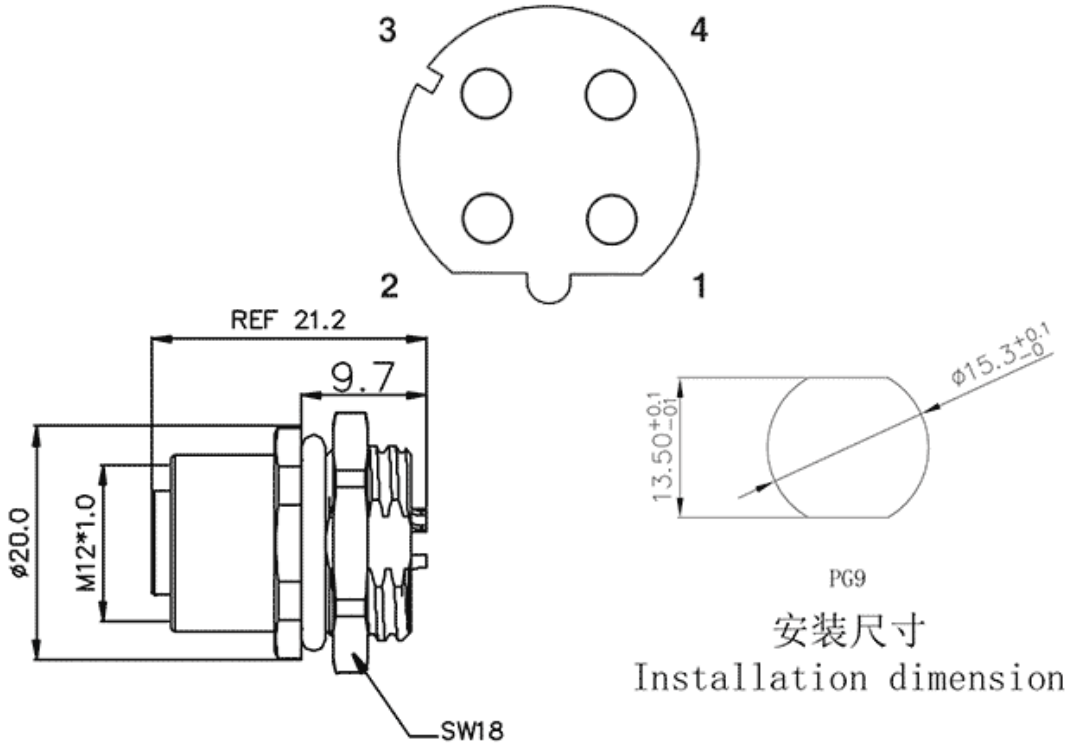
Product Type: M12 Panel Mounting Connector

Product Name: M12D04C-  
FPSFHUS

Product Description:



### Product Size



### Parameters

<input checked="" type="checkbox"/> SUPU ID	M12
<input checked="" type="checkbox"/> Number of connections	4
<input checked="" type="checkbox"/> Protection Level	IP67
<input checked="" type="checkbox"/> Operating temperature range	-40~+85°C

<input type="checkbox"/> Mounting Type	板前安装
<input type="checkbox"/> Thread type	M12X1.0
<input type="checkbox"/> Category	孔式
<input type="checkbox"/> Coding	A
<input type="checkbox"/> Connection method	杯口
<input type="checkbox"/> Mechanical endurance	100
<input type="checkbox"/> Standards	IEC61076-2-101

## Commercial data

<input type="checkbox"/> Order No	M12D04C-FPSFHUS
<input type="checkbox"/> Packing unit	PCS
<input type="checkbox"/> Minimum order quantity	1

## Ningbo SUPU Electronics Co., Ltd.

Address: No. 150, Xinxing 4th Road, High-tech Industrial Development Zone,

Cixi City, Zhejiang Province, China

Zip code: 315303

Switchboard: +86 574-63288158

Fax: +86 574-63288170

E-mail:supucontact@supu.cn

Service Hotline: 400-626-6336



Wechat

---

Date:2026-05-03 16:56

The right to modify data belongs to SUPU.