

Product Type: Plug-in terminal-Plug

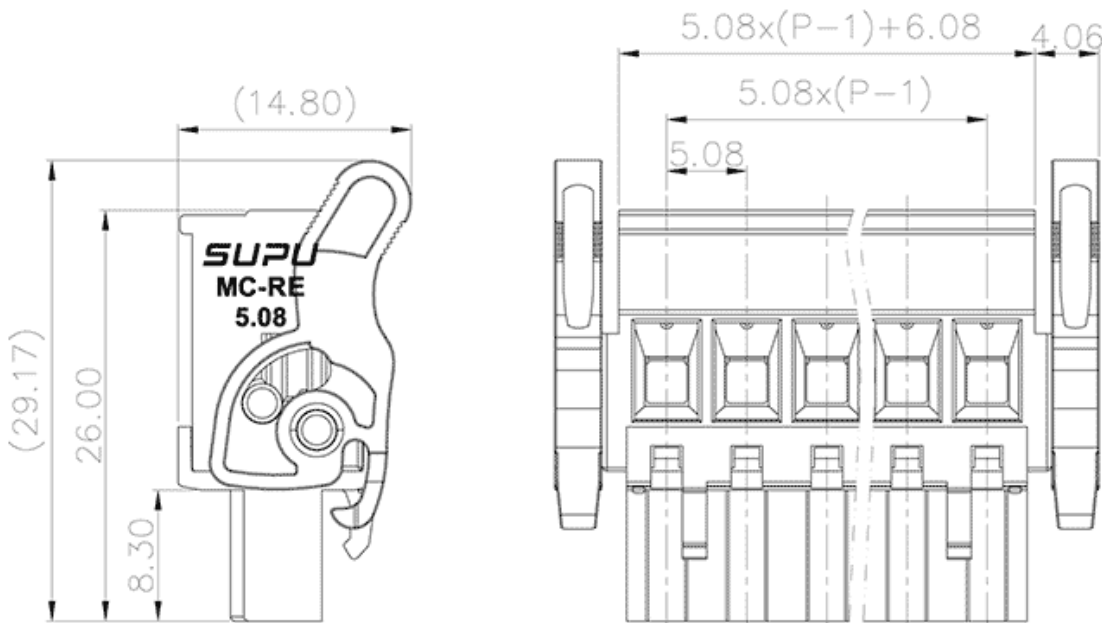
Product Name:MC-RE5.08VXXC-I-0001

Product Description: Pitch:5.0mm Rated

Voltage : 320V Rated Current:12A Connection

method : Screw connection colour : customizable

## Product Size



## Parameters

|                         |                      |
|-------------------------|----------------------|
| ⌘ SUPU ID               | MC-RE5.08VXXC-I-0001 |
| ⌘ Pitch                 | 5.08                 |
| ⌘ Number of connections | XX                   |
| ⌘ Connection method     | Screw connection     |

|                               |                                  |
|-------------------------------|----------------------------------|
| ☞ Protection Level            | IP20                             |
| ☞ Operating temperature range | -40~+105°C                       |
| ☞ Insulation material         | PA66                             |
| ☞ Insulation material group   | I                                |
| ☞ Contact material            | Copper alloy                     |
| ☞ Contact plating             | Sn,Plated                        |
| ☞ Color                       | Green/Black/Blue/Grey/Orange/Red |

## Technical data

|   |                        |
|---|------------------------|
| ☞ IEC Rated Current                             | 12A                    |
| ☞ IEC Rated Voltage                             | 320V                   |
| ☞ Overvoltage category                          | III/III/ II            |
| ☞ Degree of pollution                           | 3 2 2                  |
| ☞ Rated impulse voltage                         | 4.0KV 4.0KV4.0KV       |
| ☞ UL Rated Current                              | 15A - 10A              |
| ☞ UL Rated Voltage                              | 300V - 300V            |
| ☞ Conductor cross section rigid                 | 0.2-2.5mm <sup>2</sup> |
| ☞ Conductor cross section flexible              | 0.2-2.5mm <sup>2</sup> |
| ☞ Conductor cross section flexible,with furrule | 0.2-2.5mm <sup>2</sup> |
| ☞ Locking screw Specification                   | M3                     |
| ☞ Locking screw torque                          | 0.5N.m                 |
| ☞ Fixed Screw Specification                     | -                      |
| ☞ Stripping length                              | 7~8mm                  |
| ☞ Use group                                     | B/C/D                  |

☞ Order No

MC-RE5.08VXXC-I-0001

Ningbo SUPU Electronics Co., Ltd.

Address: No. 150, Xinxing 4th Road, High-tech Industrial Development Zone,  
Cixi City, Zhejiang Province, China

Zip code: 315303

Switchboard: +86 574-63288158

Fax: +86 574-63288170

E-mail:supucontact@supu.cn

Service Hotline: 400-626-6336



Wechat