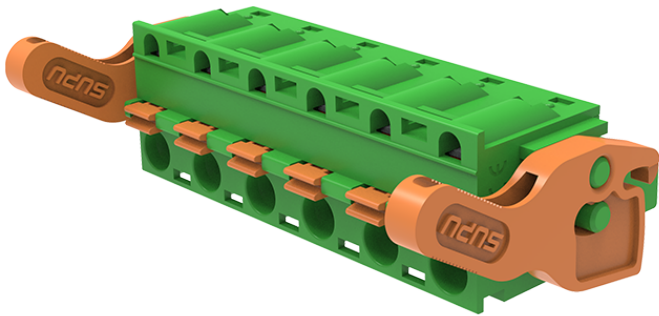


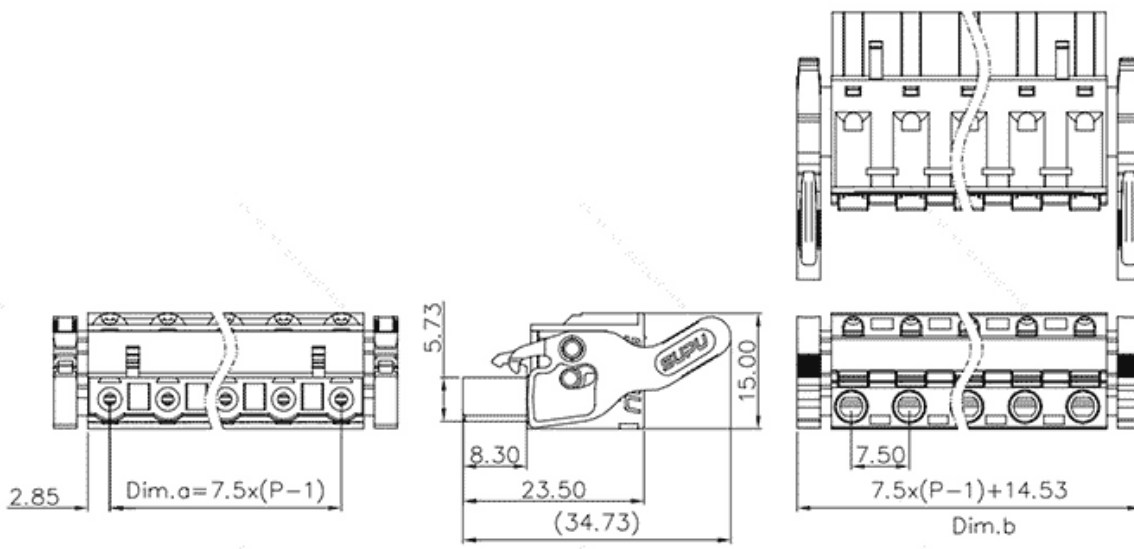
Product Type: Plug-in terminal-Plug

Product Name:MC-RJ7.5HXXP-I-0001

Product Description: Pitch:7.5mm Rated Voltage : 630V Rated Current:12A Connection method : Push-in spring connection colour : customizable



Product Size



Parameters

| | |
|-------------------------|---------------------------|
| ⌘ SUPU ID | MC-RJ7.5HXXP-I-0001 |
| ⌘ Pitch | 7.5 |
| ⌘ Number of connections | XX |
| ⌘ Connection method | Push in spring connection |

| | |
|-------------------------------|----------------------------------|
| ☞ Protection Level | IP20 |
| ☞ Operating temperature range | -40~+105°C |
| ☞ Insulation material | PA66 |
| ☞ Insulation material group | I |
| ☞ Contact material | Copper alloy |
| ☞ Contact plating | Sn,Plated |
| ☞ Color | Green/Black/Blue/Grey/Orange/Red |

Technical data

| | |
|---|------------------------|
| ☞ IEC Rated Current | 12A |
| ☞ IEC Rated Voltage | 630V |
| ☞ Overvoltage category | III/III/ II |
| ☞ Degree of pollution | 3 2 2 |
| ☞ Rated impulse voltage | 6.0KV 6.0KV6.0KV |
| ☞ UL Rated Current | 10A - 10A |
| ☞ UL Rated Voltage | 300V - 300V |
| ☞ Conductor cross section rigid | 0.2-2.5mm ² |
| ☞ Conductor cross section flexible | 0.2-2.5mm ² |
| ☞ Conductor cross section flexible,with furrule | 0.2-2.5mm ² |
| ☞ Locking screw Specification | - |
| ☞ Locking screw torque | - |
| ☞ Fixed Screw Specification | - |
| ☞ Stripping length | 10-11mm |
| ☞ Use group | B/C/D |

Order No

MC-RJ7.5HXXP-I-0001

Ningbo SUPU Electronics Co., Ltd.

Address: No. 150, Xinxing 4th Road, High-tech Industrial Development Zone,
Cixi City, Zhejiang Province, China

Zip code: 315303

Switchboard: +86 574-63288158

Fax: +86 574-63288170

E-mail:supucontact@supu.cn

Service Hotline: 400-626-6336



Wechat