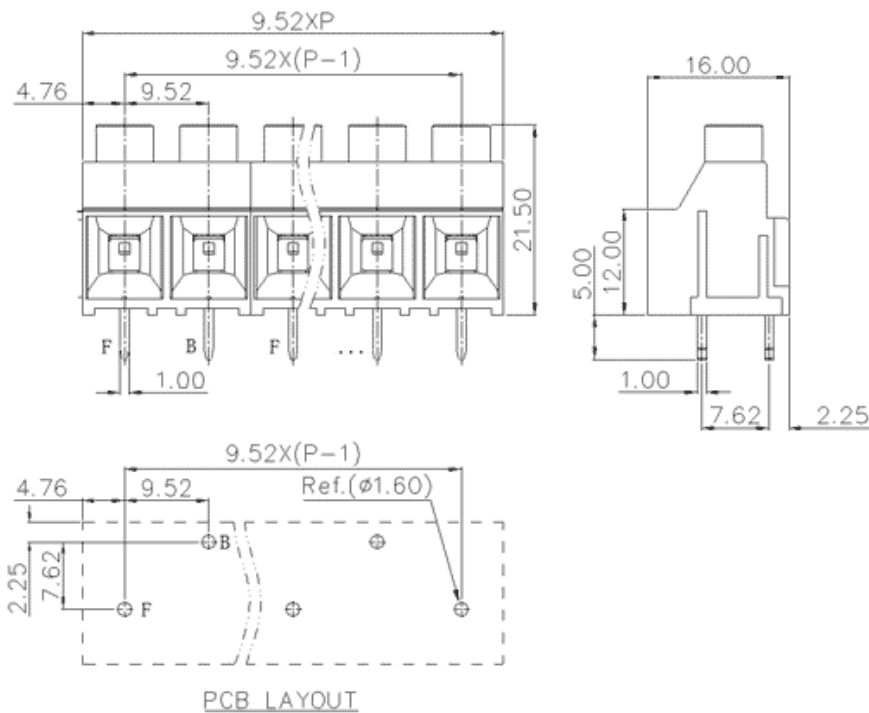


Product Type: Fixed terminal

## Product Name:MC-TH-F9.52H05C-0001

Product Description: Pitch:9.52mm Rated Voltage : 1000V Rated Current:32A Connection method : Screw connection colour : customizable

### Product Size



### Parameters

|                         |                      |
|-------------------------|----------------------|
| ☞ SUPU ID               | MC-TH-F9.52H05C-0001 |
| ☞ Pitch                 | 9.52                 |
| ☞ Number of levels      | Single layer         |
| ☞ Number of connections | 5                    |

|                               |                                  |
|-------------------------------|----------------------------------|
| ☞ Connection method           | Screw connection                 |
| ☞ Protection Level            | IP20                             |
| ☞ Operating temperature range | -40~+105°C                       |
| ☞ Insulation material         | PA66                             |
| ☞ Insulation material group   | I                                |
| ☞ Contact material            | Copper alloy                     |
| ☞ Contact plating             | Sn,Plated                        |
| ☞ Color                       | Green/Black/Blue/Grey/Orange/Red |

## Technical data

|                                                 |                        |
|-------------------------------------------------|------------------------|
| ☞ IEC Rated Current                             | 32A                    |
| ☞ IEC Rated Voltage                             | 1000V                  |
| ☞ Overvoltage category                          | III/III/ II            |
| ☞ Degree of pollution                           | 3 2 2                  |
| ☞ Rated impulse voltage                         | 6.0KV 6.0KV 6.0KV      |
| ☞ UL Rated Current                              | 30A 30A 5A             |
| ☞ UL Rated Voltage                              | 300V 300V 600V         |
| ☞ Conductor cross section rigid                 | 0.2-6.0mm <sup>2</sup> |
| ☞ Conductor cross section flexible              | 0.2-6.0mm <sup>2</sup> |
| ☞ Conductor cross section flexible,with ferrule | 0.2-6.0mm <sup>2</sup> |
| ☞ Locking screw Specification                   | M3                     |
| ☞ Locking screw torque                          | 0.5-0.6N.m             |
| ☞ Fixed Screw Specification                     | -                      |
| ☞ Stripping length                              | 8-9mm                  |

☞ Order No

MC-TH-F9.52H05C-0001

Ningbo SUPU Electronics Co., Ltd.

Address: No. 150, Xinxing 4th Road, High-tech Industrial Development Zone,  
Cixi City, Zhejiang Province, China

Zip code: 315303

Switchboard: +86 574-63288158

Fax: +86 574-63288170

E-mail:supucontact@supu.cn

Service Hotline: 400-626-6336



Wechat