

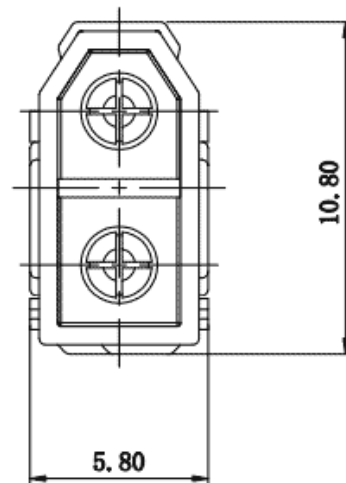
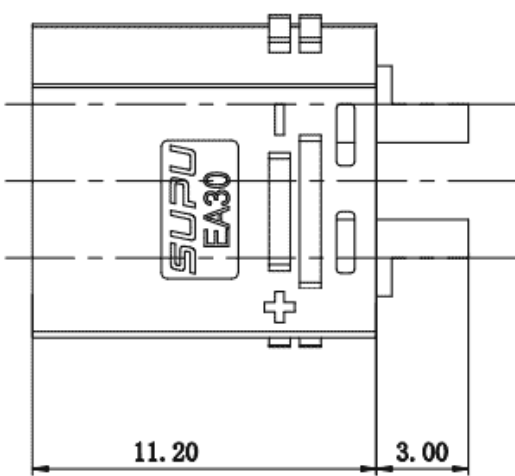


Product Type: Low-voltage High-current Connector

Product Name:EA30LHM2G-OG

Product Description: Connectors for Drones and Embodied Intelligence:Color:Orange,Rated current:20A,Rated voltage(III/3)250V,Rated impulse voltage1000V,Product type:Straight male connector for Line,Cross-section:16AWG,Pins:2-Pin,Contact plating:Au,Plated

Product Size



Parameters

| | |
|---------------------|--------------|
| ⌘ SUPU ID | EA30LHM2G-OG |
| ⌘ Pitch | 5 |
| ⌘ Connection method | Welded |

| | |
|-------------------------------|-------------------|
| ☞ Protection Level | IP40 |
| ☞ Operating temperature range | -40°C~125°C |
| ☞ Insulation material | PA |
| ☞ Insulation material group | I |
| ☞ Contact material | Copper Alloy |
| ☞ Contact plating | Au,Plated |
| ☞ Insertion/withdrawal cycles | 100 |
| ☞ 塑件结构 | line |
| ☞ 焊脚规格 | / |
| ☞ Outgoing direction | Horizontal Wiring |

Technical data

| | |
|-------------------------|-------|
| ☞ Rated Voltage | 250V |
| ☞ Overvoltage category | III |
| ☞ Degree of pollution | 3 |
| ☞ Rated impulse voltage | 1000V |

Commercial data

| | |
|------------|--------------|
| ☞ Order No | EA30LHM2G-OG |
|------------|--------------|

Ningbo SUPU Electronics Co., Ltd.

Address: No. 150, Xinxing 4th Road, High-tech Industrial Development Zone,

Cixi City, Zhejiang Province, China

Zip code: 315303

Switchboard: +86 574-63288158

Ningbo SUPU Electronics Co., Ltd.

Fax: +86 574-63288170

E-mail:supucontact@supu.cn

Service Hotline: 400-626-6336



Wechat

Date:2026-04-27 18:16

The right to modify data belongs to SUPU.