

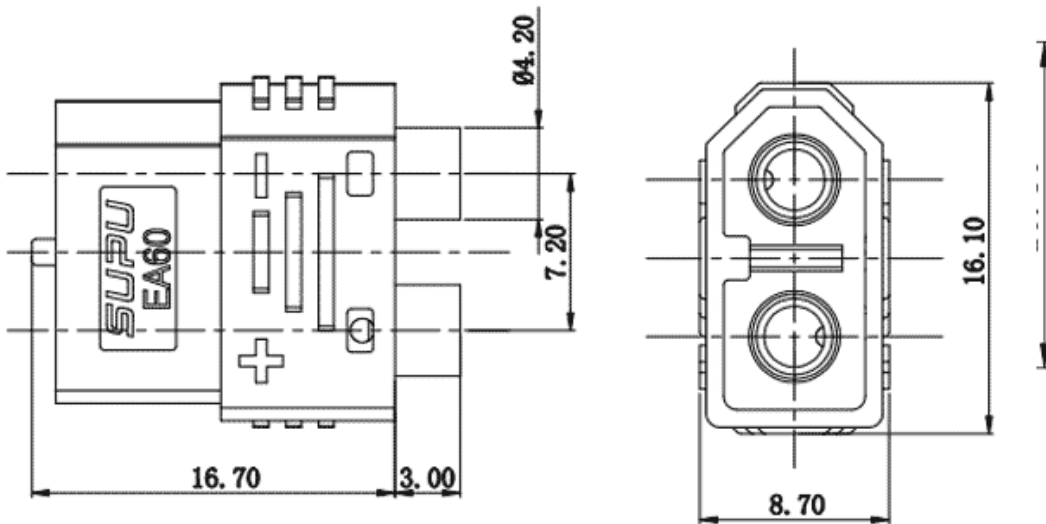


Product Type: Low-voltage High-current Connector

## Product Name:EA60PHF230G-OG

Product Description: Connectors for Drones and Embodied Intelligence:Color:Orange,Rated current:35A,Rated voltage(III/3)250V,Rated impulse voltage1000V,Product type:Straight female connector for Board,Welding leg specifications:3mm,Cross-section:12AWG,Pins:2-Pin,Contact plating:Au,Plated

### Product Size



### Parameters

Pitch	7.2
Connection method	Welded
Protection Level	IP40
Operating temperature range	-40°C~125°C
Insulation material	PA
Insulation material group	I
Contact material	Copper Alloy
Contact plating	Au,Plated
Insertion/withdrawal cycles	100
塑件结构	board
焊脚规格	3mm
Outgoing direction	Horizontal Wiring

## Technical data

Rated Voltage	250V
Overvoltage category	III
Degree of pollution	3
Rated impulse voltage	1000V

## Commercial data

Order No	EA60PHF230G-OG
----------	----------------

Address: No. 150, Xinxing 4th Road, High-tech Industrial Development Zone,

Cixi City, Zhejiang Province, China

Zip code: 315303

Switchboard: +86 574-63288158

Fax: +86 574-63288170

E-mail:supucontact@supu.cn

Service Hotline: 400-626-6336



Wechat

---

Date:2026-04-25 12:08

The right to modify data belongs to SUPU.